

PRODUCT SERIES SPECIFICATIONS

Series: DrumQuik PRO

Category: DrumQuik

Pressure: 0 to 45 psig (0 to 3.1 bar)

Temperature: 32°F-120°F (0°C-49°C)

Material Compliance

RoHS: Compliant

For more information see cpcworldwide.com or contact us at cpcworldwide.com/ContactUs

Interactive 3D graphic, click to activate and rotate.

DrumQuik®PRO is a dispensing systems used with common pumps to create a closed transfer system for both general and high purity chemicals. This easy-to-use product meets the strict safety requirements of chemical handling applications as well as the demands of harsh operating environments. DrumQuik dispensing systems minimize chemical exposure and facilitate the delivery of chemicals from bulk transfer containers to end use applications. For general chemical dispensing, DrumQuik PRO offers a rugged and cost effective solution. All materials are compliant with FDA standards for food and consumables applications.

Features - Benefits

Quick connect/disconnect - Allows faster drum change-outs

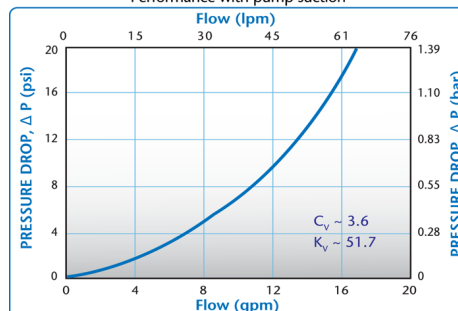
Automatic shutoff valve - Stops flow when disconnected

Disposable drum insert - Reduces messy handling and chemical exposure

Ported vent system for vapor management - Allows make-up air into drum or connection of blanket gas (N₂,CO₂)

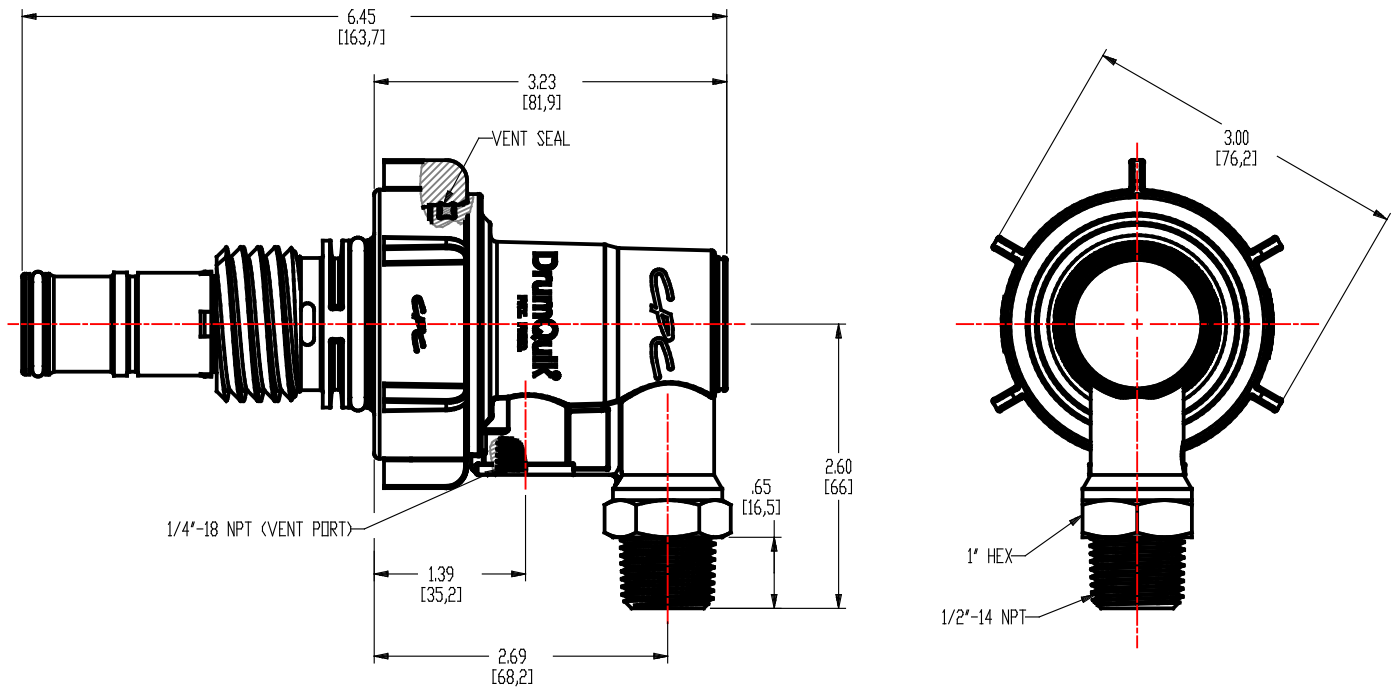
Multiple standard thread sizes - Can be used with many common steel and plastic containers

DrumQuik PRO & DrumQuik PUR Water Flow
Performance with pump suction



These graphs are intended to give you a general idea of the performance capabilities of each product line. Contact CPC for flow of a particular coupling combination.

Technical details:



Description: 1/2" MNPT Elbow Coupler, with EPDM O-Rings and 316 Stainless Spring

Materials:

Main Components: Virgin polypropylene

Valve Spring: Stainless Steel

Seals: EPDM

Standard Packaging Quantity: 5