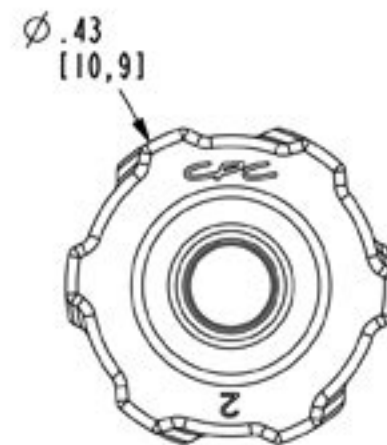
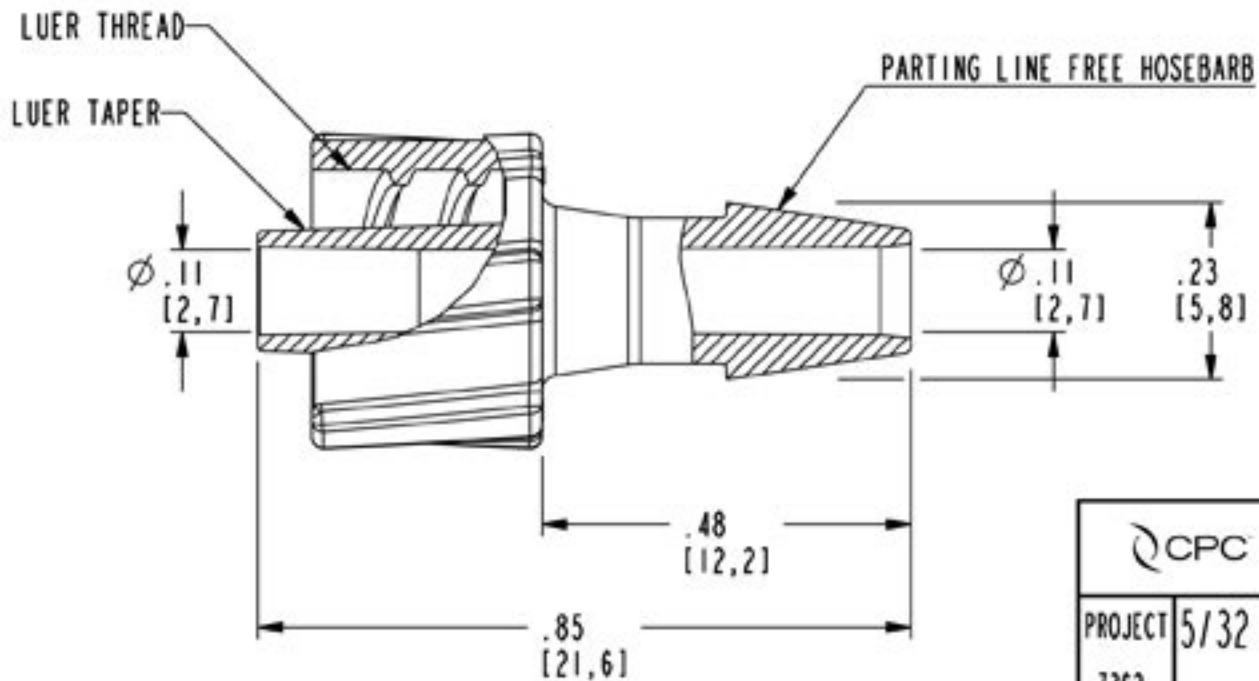


DWG NO: LM5130-CUST

NOTES:

1 MATERIAL: NYLON
FDA 21 CFR 177.1500
RoHS COMPLIANT
COLOR: WHITE



CPC 1 800 444 2474 cpcworldwide.com		
PROJECT 7362	5/32 HB MALE LUER INTEGRAL LOCK RING (CUSTOMER DRAWING)	
DWG BY: KRN	DATE: 06-30-09	CHKD BY:
MATL/FIN: SEE NOTE 1		DWG NO: LM5130-CUST